

PE6010

Combat Digital Video Recorder



Compact, conduction-cooled Combat Digital Video Recorder (DVR)

The PE6010 Digital Video Recorder (DVR) allows for mission recording and playback.

Sealed, conduction-cooled unit designed to survive in full combat conditions including extreme shock, vibration, and temperature.

The compact and sealed EMI-compliant enclosure, convenient mounting holes and optional mounting kit ensure low profile mounting in combat vehicles.

Features:

- Dual analog video inputs supporting VGA resolutions at 30 fps.
- MPEG 4 low loss video recording.
- Customizable real-time video replay and navigation software.
- Low profile, low power unit.
- Dual expandable video inputs are digitized and stored on a solid state disk, and can be played back on the unit, even when recording.
- Offers full "TIVO" functionality, full suite of processing power, storage, and standard I/O through circular military connectors.

Technical Information

Processor Unit

CPU	Pentium® M 1.4 GHz
RAM	512 MB (Optional 1GB)
Video Output	CRT = QXGA 2048 x 1536 LCD = UXGA 1600 x 1200 RS-170 = VGA 640 x 480
Video Memory	64 MB
Storage	Primary: 16 GB solid state removable Secondary: optional solid state removable
Keyboard Port	PS/2 or USB
Serial Ports	Four configurable as RS-232 or RS-422
Parallel Port	IEEE 1284 Compliant
Audio	AC '97 and SoundBlaster Pro™ compatible Audio Out Optional microphone input
PCMCIA	Type II or Type III Optional door for removal
USB	3 x USB 2.0 Ports (UHCI and EHCI) USB floppy, CD-ROM, Hard Drive and Flash Drive boot support
Ethernet	Optional 10/100 BaseT
OS Support	Win2K, WinXP, Linux
Power Supply	MIL-STD-1275A 6 V Initial Surge, 16 V cranking Reverse polarity protection

Physical Characteristics

Size	11.12" w x 9.14" h x 2.315" d
Weight	7.0 lbs
Connectors	Sealed

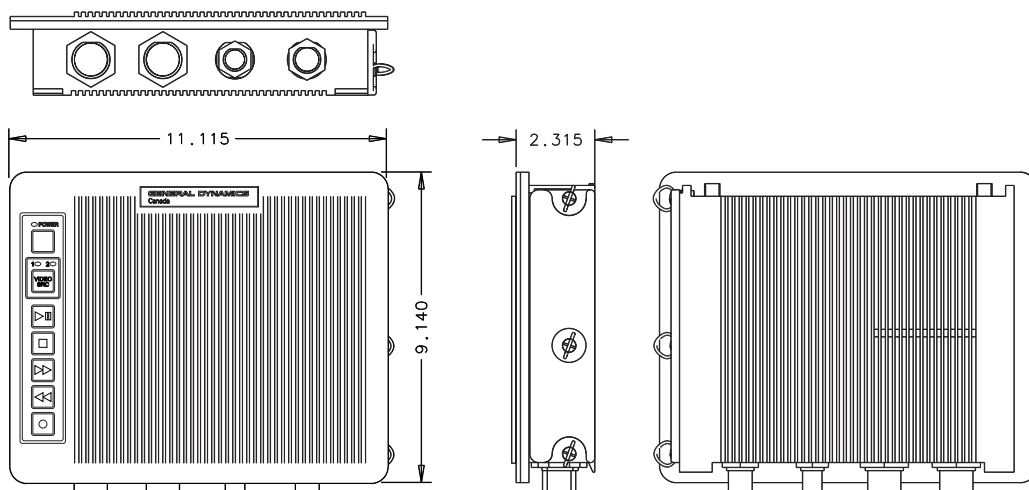
Environmental Conditions

Operating Temperature	-40°C to +60°C (-40°F to +140°F)
Storage Temperature	-40°C to +71°C (-40°F to +160°F)
Vibration	Tracked/Wheeled Vehicles
Shock	40 g, 6 msec 1/2 sine
Water Tightness	50 PSIG
Altitude	15000 ft
Humidity	3% to 100% condensing
Sand Dust	20 mph for 30 min
Explosive Atmosphere	Yes
Salt Fog	48 hrs
EMI/EMC	MIL-STD-461E

Video Recording

Video Inputs	2 Simultaneous NTSC/RS170 inputs at 30 fps
Video Format	MPEG4 Video compression
Video Storage	2 VGA channels for 12 hours each
Video Control	Dedicated Bezel Keys for Digital Video Recording Control. Remote Control available via Serial, USB or Ethernet
Video Playback	Live video playback with FF, rewind, pause support

The unit described/pictured here represents a typical configuration of this product. Specifications are configurable for specific customer requirements. For specifics on interfaces, bezel buttons, casings, connectors, and other configurations, please contact your General Dynamics representative.



GENERAL DYNAMICS
Mission Systems

CANADA
gdmissionsystems.ca
info@gd-ms.ca

UNITED KINGDOM
gd-ms.uk
enquiries@gd-ms.uk

